



### Engine

Make and Model .....Caterpillar C-15  
 Max Horsepower ..... 525 @ 2100 RPM  
 Max Torque ..... 1700 Ft/Lbs @ 2100 RPM  
 Bore and Stroke.....5.4" x 6.5"  
 No. of Cylinders .....6  
 Displacement..... 893 Cu/In (14.6 liters)  
 Optional Engine ..... Cummins QSX-15

### Air Cleaner

Donaldson Two Stage Dry Type with Restriction Indicator

### Electrical System

Type..... 24 Volt Negative Ground/24 Volt Start  
 Alternator ..... 100 AMP  
 Circuit Breakers (lights) ..... 30 AMP  
 Circuit Breakers (accessory) ..... 20 AMP  
 Batteries (2) ..... 12 Volt-8D @ 205 AMP Hr. each

### Torque Converter

Clark 8000 Series Single Stage, 3 Elements

### Transmission

Clark 8000 Series Power Shift - Spur Gear; 4 Speeds Fwd/Rev

Range	Ratio	Speed (Unladen)
1.....	4.07:1 .....	3.8 mph (6.1 km/h)
2.....	2.26:1 .....	6.6 mph (10.6 km/h)
3.....	1.29:1 .....	11.0 mph (17.7 km/h)
4.....	0.71:1 .....	18.8 mph (30.3 km/h)

### Axles

Fabricated Housing ..... Allied Wagner  
 Make..... Clark  
 Model (Chassis).....FD-85000 Series  
 Type.....Planetary  
 Brakes .....Air over Hydraulic Disc, 3 Calipers per Side  
 Brake Size ..... 37" Diameter (940mm)

### Tires

Size (Front)..... (Dual) 24.00 x 35-42PR  
 Size (Rear) ..... 26.5 x 25-24PR

### Hydraulic System

"Power Beyond" hydraulics with total capacity of all pumps in the system for multiple use simultaneously. Function controls are air over hydraulic or optional hydraulic over hydraulic.

Steering Cylinder (2)..... 4" x 20" ( 102mm x 508mm)  
 Hoist Cylinder (2)..... 10" x 98" (254mm x 2489mm)  
 Tilt Cylinder (2) ..... 10" x 51" (254mm x 1295mm)  
 Holddown Cylinder (2)..... 6" x 56" (152mm x 1442mm)  
 Kickoff Cylinder (2) ..... 6" x 36" (152mm x 914mm)

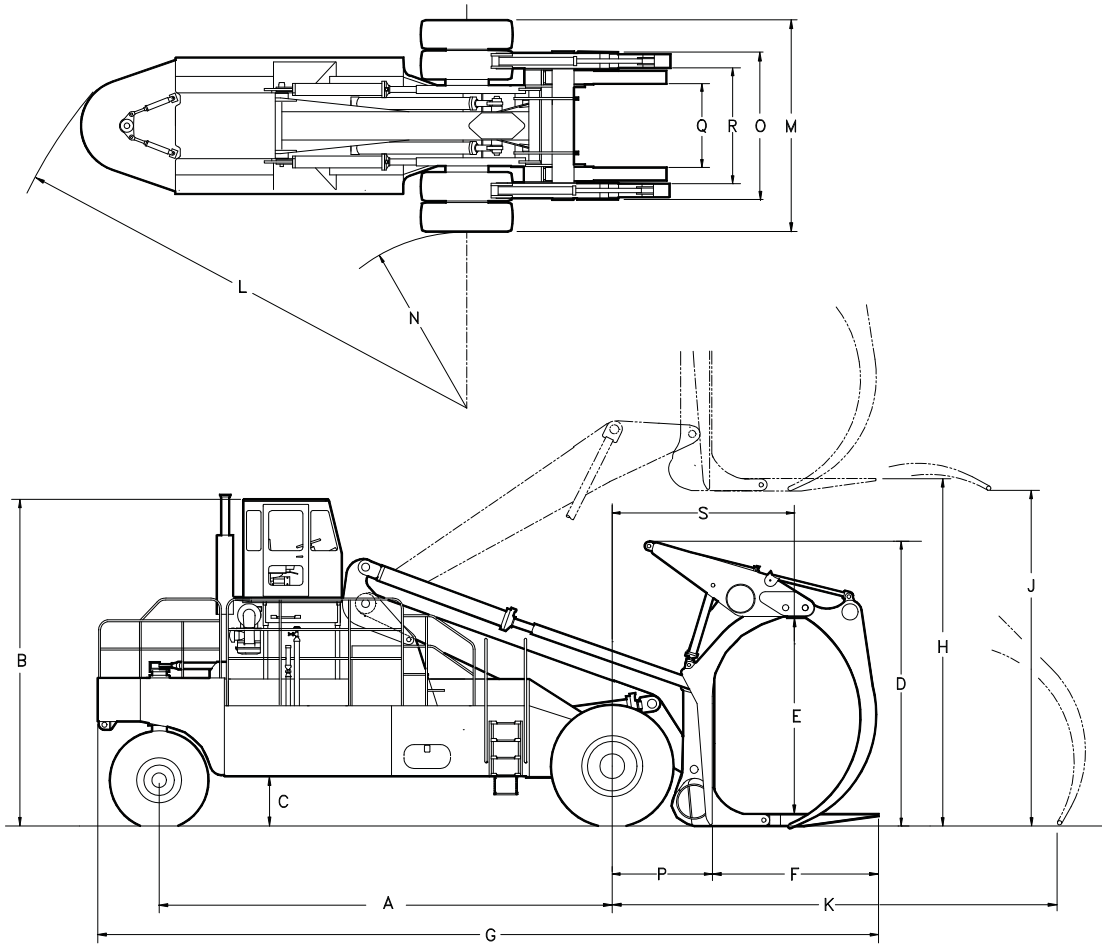
### Service Refill Capacities

Fuel Tank ..... 450 Gals (1703 liters)  
 Hydraulic Oil ..... 350 Gals (1324 liters)  
 Crankcase w/Filter..... 11 Gals (42 liters)  
 Cooling System ..... 24 Gals (91 liters)

## Purpose-Built Log Handlers



# L100F



## Dimensions (approximate)

A. Wheelbase .....	26' 0" (7925mm)	K. Distance from Axle to Holddown Tip for Reach .....	24' 7" (7493mm)
B. Height to Top of Cab .....	17' 6" (5334mm)	L. Turning Radius Tail Swing .....	35' 6" (10820mm)
C. Ground Clearance Chassis .....	2' 6" (762mm)	M. Width Outside Chassis Tires .....	16' 10" (5131mm)
D. Carriage Height .....	16' 6" (5029mm)	N. Inside Turning Radius.....	13' 6" (4115mm)
E. Mouth Opening .....	11' 2" (3404mm)	O. Carriage Width .....	11' 0" (3353mm)
F. Tine Length .....	9' 6" (2896mm)	P. Axle to Face of Carriage - Boom Level .....	8' 2" (2489mm)
G. Overall Length .....	44' 10" (13665mm)	Q. Width Inside of Tines .....	6' 4" (1930mm)
H. Ground to Fork-Hoist Up .....	20' 0" (6096mm)	R. Width Outside of Tines .....	8' 4" (2540mm)
J. Ground to Holddown Tip Carriage Down/Holddown Up .....	19' 10" (6045mm)	S. Axle Centerline to Load Center .....	12' 8" (3861mm)

## Weights and Functions (approximate)

Unit Weight .....	166,000 lbs	(75,296 kg)	Forward Tilt @ Ground Level .....	35°
Drive End.....	110,000 lbs	(49,895 kg)	Forward Tilt @ Max Height.....	11°
Tail End.....	56,000 lbs	(25,401 kg)	Backward Tilt @ Ground Level.....	23°
Rated Lift Capacity 54"LC .....	100,000 lbs	(45,359 kg)	Backward Tilt @ Max Height .....	50°
Rated Lift Capacity 54"LC With 36" Extension .....	90,000 lbs	(40,823 kg)		

# wagner

A Division of Allied Systems Company

21433 S.W. Oregon Street

Sherwood, Oregon 97140 USA

Telephone: 503.625.2560 • Fax: 503.625.7980

E-mail: [wagner@alliedsystems.com](mailto:wagner@alliedsystems.com)

[www.alliedsystems.com](http://www.alliedsystems.com)