

wagner

L60



Purpose-Built Log Handlers

Specifications are subject to change without notice or obligation.

 **MADE IN USA**

L60

Capacity

Tipping Capacity.....@ 48" Load Center	70,000 lbs (31,750 kg)
Rated Capacity.....@ 48" Load Center	60,000 lbs (27,216 kg)

Engine

Make and Model.....	Cummins QSM11
Max Horsepower	400 HP
<i>Optional:</i>	
Make and Model.....	Caterpillar C13
Max Horsepower	440 HP

Service Refill Capacities

Fuel Tank.....	180 Gal (681 liters)*
Hydraulic Oil.....	240 Gal (908 liters)*
Engine w/Filter.....	9 Gal (34 liters)*
Cooling System	13 Gal (49 liters)*

Integral Transmission/Converter w/Automatic Shifting

4 Speeds Fwd/Rev

Axles

Front Axle	Planetary Final Reduction
------------------	---------------------------

Tires

Size (Front).....	65/35 x 33, 42 Biased Ply	Standard
Size (Rear)	18.00 x 25, 32 Biased Ply	Standard
Size (Front).....	35/65 R33 Radial.....	Optional
Size (Rear)	18.00 R25 Radial.....	Optional
Dual Front Tires..	18.00 x 33 Radial or Biased Ply.....	Optional

Cab

Best in class working environment includes the following:

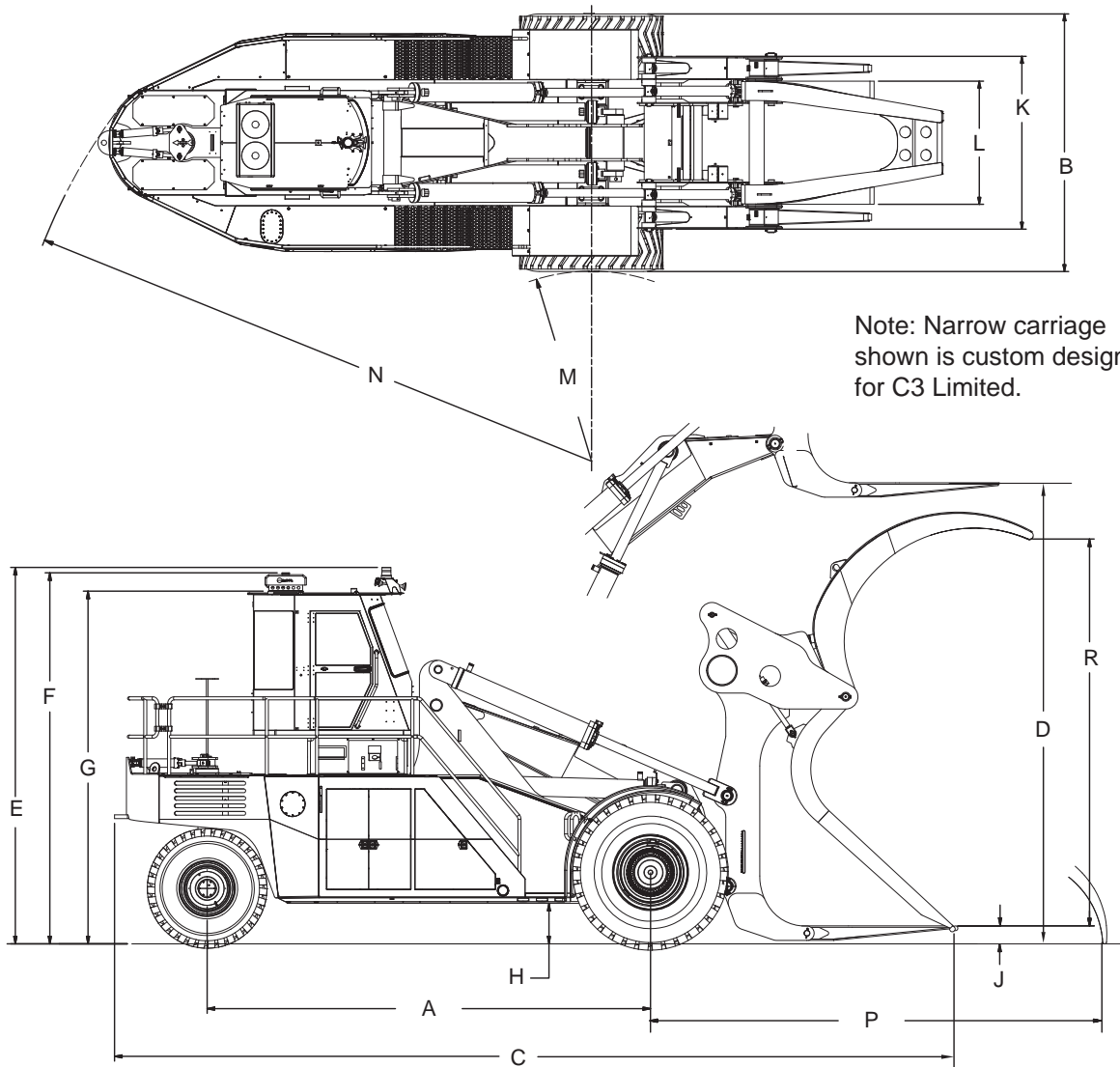
Noise (dBa) Inside Cab (ISO 6396:2008).....	72 dB
Visibility.....	360°
Convex Front Windshield	Standard
Falling Objects Protection (F.O.P.) Certification.....	Standard
Heat/AC.....	Standard
Air Seat Suspension for Operator Comfort.....	Standard
Cab Isolation from Chassis (Noise/Vibration Reduction).....	Standard
Rotating Platform, 90°	Standard
Sliding Windows	Optional
Load Dampening.....	Optional
Joystick Steering	Optional

Features & Options

Wet Disc Brakes	Standard
Remote Engine Oil Drain.....	Standard
Stairwell Access.....	Standard
Central Lube.....	Standard
Sight Gauges.....	Standard
Service Bay	Standard
ANSUL Fire Suppression (Liquid)	Standard
Halogen Lights.....	Standard
Tilt Cab	Optional
LED Lights.....	Optional
Front and Rear Cameras.....	Optional
Warning Beacon	Optional
Converter Lockup	Optional

*Approximate

L60



Dimensions*

A. Wheelbase	19' 8" (6,000 mm)
B. Width	12' 5" (3,783 mm)
C. Length	37' 5" (11,398 mm)
D. Lift Height	20' 2" (6,151 mm)
E. Cab Height	16' 8" (5,088 mm)
F. Cab Height w/AC	16' 5" (5,000 mm)
G. Cab Height	15' 8" (4,768 mm)
H. Ground Clearance Chassis	1' 10" (546 mm)
J. Ground to Front Tip of Tine	10" (250 mm)
K. Carriage Width	8' 4" (2,537 mm)
L. Width Across Tines	5' 11" (1,807 mm)
M. Inside Turning Radius	9' 2" (2,791 mm)
N. Swing Radius	28' 5" (8,659 mm)

P. Distance from Axle to Holddown	
Tip for Reach	23' 3" (7,093 mm)
R. Mouth Opening	17' 1" (5,203 mm)

Weights*

Unit Weight (Empty)	120,000 lbs (54,431 kg)
Unit Weight (Loaded)	190,000 lbs (86,182 kg)

Speed (Unladen)

1	3.5 mph (5.6 km/h)
2	7.3 mph (11.7 km/h)
3	12.2 mph (19.6 km/h)
4	22.0 mph (35.4 km/h)

Carriage Options

Narrow (Independent hold downs and kickoffs w/ pivoting tines)	5' 11" (1800 mm)
Standard (Independent hold downs and kickoffs w/ pivoting tines)	7' 7" (2300 mm)
Single hold down with fixed tines	5' 11" (1800 mm)

Width Over Tines



wagner

A Division of Allied Systems Company

21433 S.W. Oregon Street
Sherwood, Oregon 97140 USA
Telephone: 503.625.2560 • Fax: 503.625.7980
E-mail: wagner@alliedsystems.com
www.alliedsystems.com