



Engine

Make and Model Caterpillar Electronic C-15
 Max Horsepower 525 @ 2100 RPM
 Max Torque 1700 Ft/Lbs @ 2100 rpm
 Bore and Stroke 5.4" x 6.5"
 No. of Cylinders 6
 Displacement 893 Cu/In (14.6 liters)
 Optional Engine Cummins Electronic QSX-15

Air Cleaner

Donaldson Two Stage Dry Type

Electrical System

Type 24 Volt Negative Ground/24 Volt Start
 Alternator 100 AMP
 Circuit Breakers (lights) 30 AMP
 Circuit Breakers (accessory) 20 AMP
 Batteries (2) 12 Volt-8D @ 205 AMP Hr. each

Torque Converter

Clark Single Stage, 3 Elements

Transmission

Clark 8420 Series Power Shift - Spur Gear; 4 Speeds Fwd and Rev.

Range	Ratio	Speed (Unladen)
1.....	5.31:1	3.2 mph (5.1 km/hr)
2.....	2.72:1	6.1 mph (9.8 km/h)
3.....	1.40:1	11.0 mph (17.7 km/h)
4.....	.71:1	Blocked

Axles

Fabricated Allied Wagner
 Make Clark
 Model (Chassis) FD-85000 Series
 Model (Bogie) FD-75000 Series
 Type Planetary
 Brakes Hydraulic Dry Disc
 Chassis 1" x 37" Dia. (25mm x 940mm)
 Bogie None

Tires

Size (Front) (Dual) (Dual) 24.00 x 35-36PR
 Size (Rear) 29.5 x 25-22PR

Hydraulic System

"Power Beyond" hydraulics with total capacity of all pumps in the system for multiple use simultaneously. Function controls are hydraulic over hydraulic.

Steering Cylinder (2) 5" x 32" (127mm x 813mm)
 Hoist Cylinder (2) 10" x 107" (254mm x 2565mm)
 Tilt Cylinder (2) 10" x 58" (254mm x 1295mm)
 Holddown Cylinder (2) 6" x 56" (203mm x 1422mm)
 Kickoff Cylinder (2) 6" x 36" (203mm x 940mm)

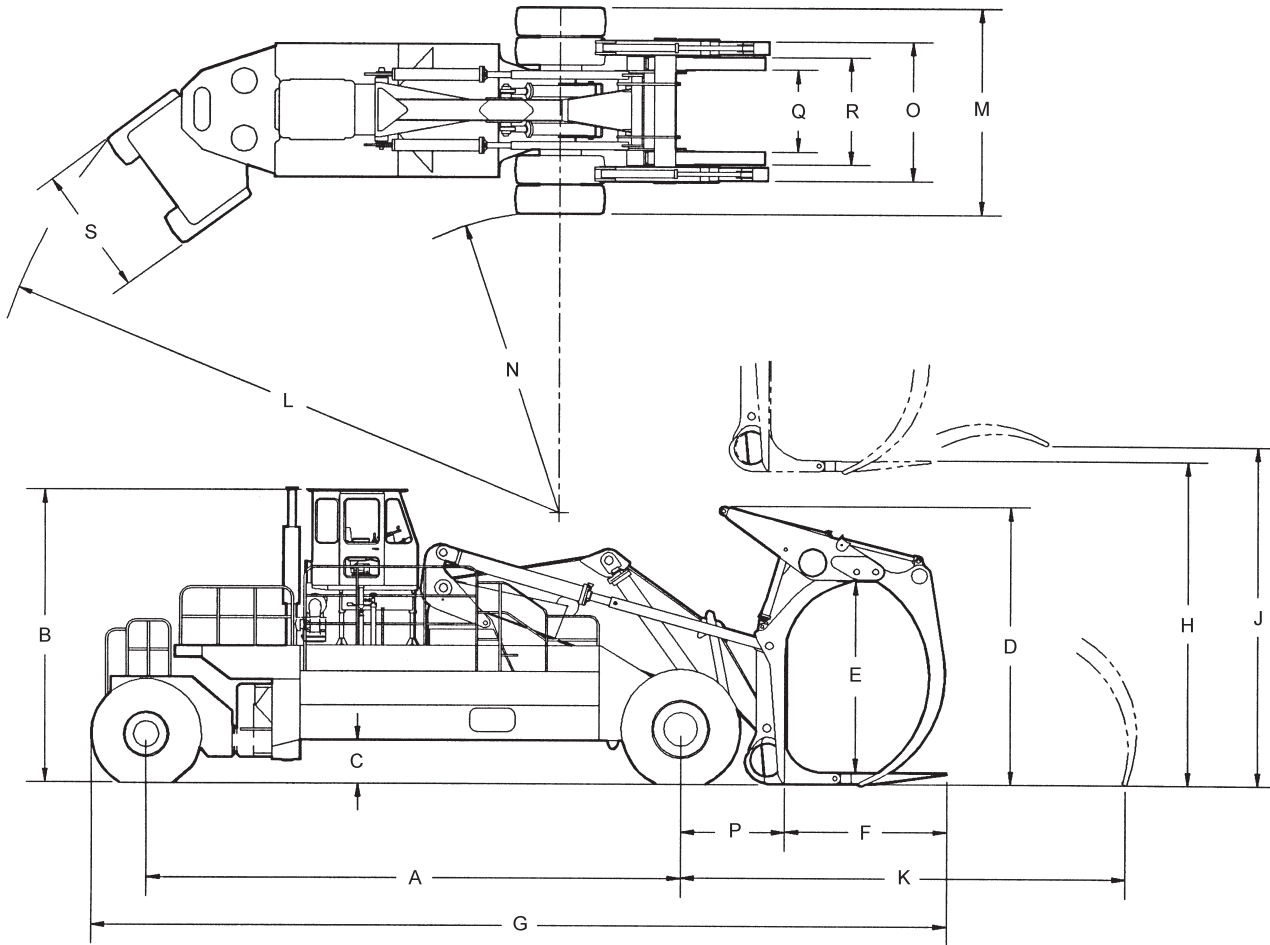
Service Refill Capacities

Fuel Tank 425 Gals (1609 liters)
 Hydraulic Oil 350 Gals (1325 liters)
 Crankcase w/Filter 13 Gals (49 liters)
 Cooling System 24 Gals (91 liters)

Purpose-Built Log Handlers



L4100



Dimensions (approximate)

A. Wheelbase	30' 0" (9144mm)	K. Distance from Axle to Holddown Tip for Reach	26' 0" (7925mm)
B. Height to Top of Cab	18' 0" (5486mm)	L. Turning Radius Tail Swing	50' 6" (15392mm)
C. Ground Clearance Chassis	3' 0" (914mm)	M. Width Outside Chassis Tires	16' 8" (5080mm)
D. Carriage Height	16' 4" (4978mm)	N. Inside Turning Radius	32' 0" (9754mm)
E. Mouth Opening	11' 2" (3404mm)	O. Carriage Width	11' 0" (3353mm)
F. Tine Length	9' 6" (2896mm)	P. Axle to Face of Carriage - Hoist Down	7' 11" (2413mm)
G. Overall Length	49' 1" (14960mm)	Q. Width Inside of Tines	6' 4" (1930mm)
H. Ground to Fork-Hoist Up	19' 2" (6096mm)	R. Width Outside of Tines	8' 4" (2540mm)
J. Ground to Holddown Tip Carriage Down/Holddown Up	20' 00" (6096mm)	S. Width Outside of Bogie Tires	10' 10" (3302mm)

Unit Weight	159,700 lbs (72,439 kg)
Drive End	100,900 lbs (45,767 kg)
Tail End	54,800 lbs (24,857 kg)
Rated Lift Capacity 54"LC	100,000 lbs (45,359 kg)
Forward Tilt @ Ground Level	35°
Forward Tilt @ Max Height	10°

Weights and Functions (approximate)

Backward Tilt @ Ground Level	18°
Backward Tilt @ Max Height	43°

wagner

A Division of Allied Systems Company

21433 S.W. Oregon Street
 Sherwood, Oregon 97140 USA
 Telephone: 503.625.2560 • Fax: 503.625.7980
 E-mail: wagner@alliedsystems.com

www.alliedsystems.com