

3512C (HD)

For Well Service Applications With Dynamic Gas Blending Engine Upgrade Kit

2250 bhp (1678 kW) @ 1900 rpm
2500 bhp (1865 kW) @ 1900 rpm
ATAAC & SCAC Cooling Systems

POWER FOR THE PETROLEUM INDUSTRY

IMPROVING WORKFORCE EFFICIENCY

- Automatically adjusts to operate under a wide range of methane number gas quality (up to 2300 Btu gas) with no additional calibration required
- Includes CSA electronics for safe operation leveraged from years of gas engine development
- Single ADEM™ A4 ECU and upgraded user interface for integrated controls and engine protection

MAKING YOUR INVESTMENT WORK HARDER

- Maximum gas substitution over a wide operating range of load and speed (1400-1900 rpm)
- Uses existing gas hardware with no change to core diesel engine components
- Maintains engine horsepower, transient performance, and broad speed operating range

LOW TOTAL COST OF OWNERSHIP

- Integrated controls and hardware provide maximum substitution
 - New components added don't impact service intervals and component life
- Automatically detects gas presence, gas quality, and gas pressure to optimize fuel savings

SUSTAINABLE DEVELOPMENT

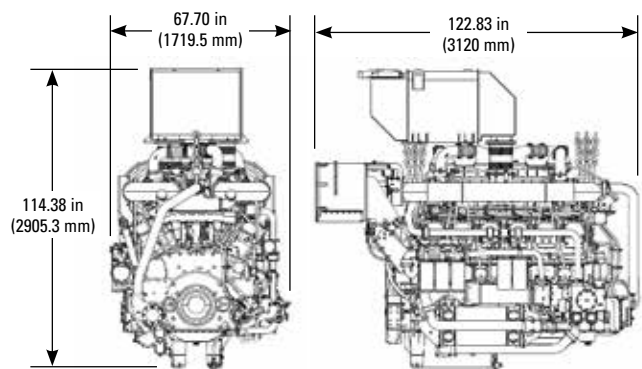
- Retains existing engine's emissions certifications from the factory with a combined integrated Diesel Oxidation Catalyst and muffler
- Capability to use dry field gas reduces gas flaring, minimizing environmental impact

FULLY INTEGRATED PETROLEUM SOLUTIONS

- Single point of supply and product support
- Integrated DGB control for optimized efficiency and substitution
- Automatically adjusts to varying fuel quality without recalibration



DIMENSIONS



Length	122.83 in	3120 mm
Width	67.70 in	1719.5 mm
Height	114.38 in	2905.3 mm

Note: Do not use for installation design. See general dimension drawings for detail.

Weights and dimensions are approximations.